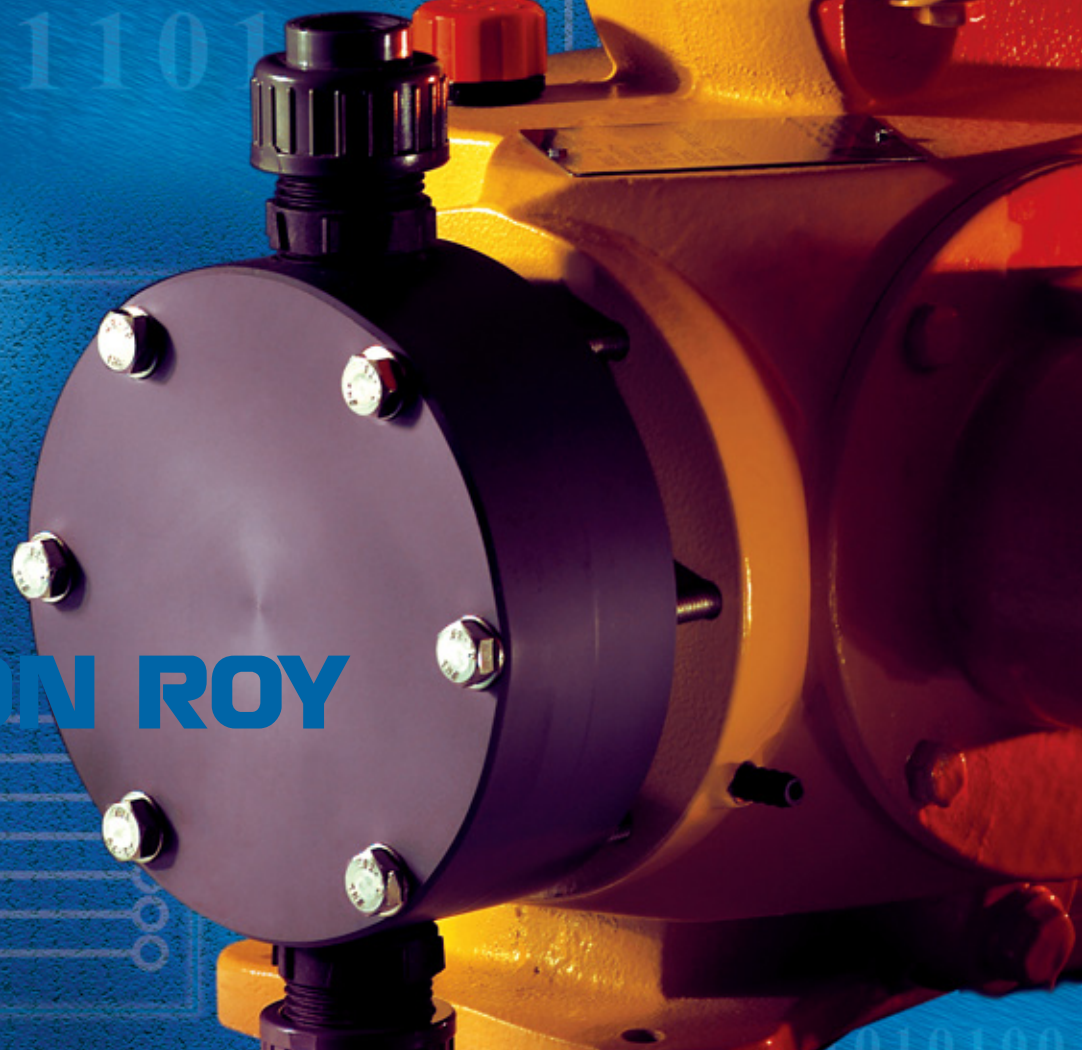


MACROY[®]

**SERIES OF
METERING
PUMPS**



MILTON ROY

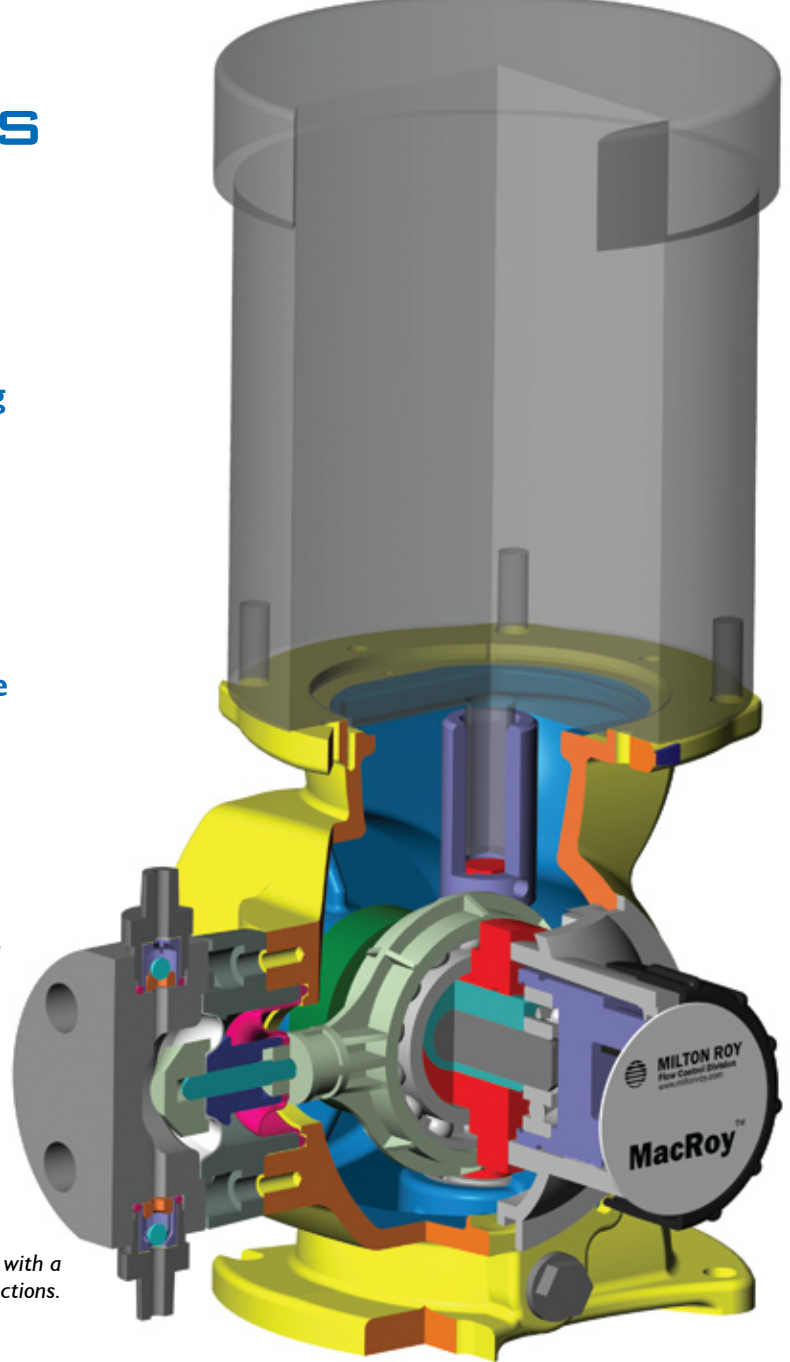


MACROY® SERIES

The MacRoy® Series of metering pumps offer traditional Milton Roy reliability with outstanding value for applications up to 175 psi (12 Bar).

Milton Roy has combined its heavy-duty industrial drive technology with state of the art design and manufacturing processes in creating the MacRoy® Series metering pump. This family of Mechanically Actuated Diaphragm metering pumps is designed for durability and cost effectiveness.

Illustrated to the right is a D4 with a PVC liquid end, featuring NPT connections.

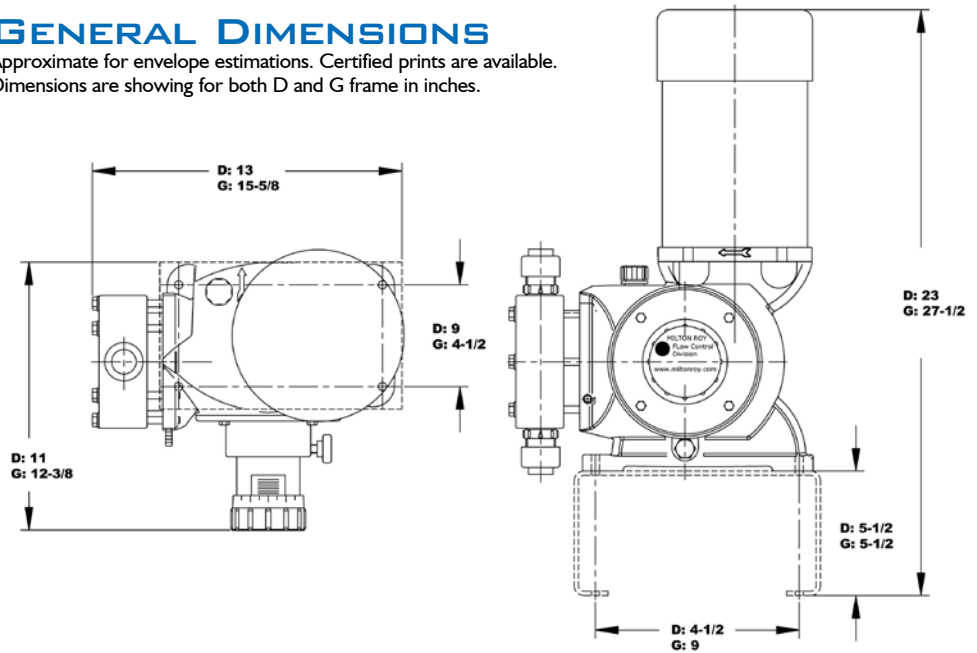


MACROY FEATURES AND SPECIFICATIONS

- Flow Rates up to 312 GPH (1180 Liters/hr)
- Mechanically Actuated Diaphragm liquid end eliminates flow restrictions
- Durable, metallic housing designed to withstand tough environments
- High efficiency motors minimize heat buildup
- A robust, metallic, worm gear drive coupled with the industrial duty variable eccentric stroke adjustment mechanism yields a 10 to 1 turn down ratio with smooth velocity profiles as compared to the pulsating flows of solenoid pumps or lost motion designs
- Smooth running, low friction bronze gears
- The PTFE, high performance, diaphragm design increases diaphragm life by eliminating the stresses inherent in most designs
- Reliable low flow performance is a result of high performance check valves with machined seats
- All gear components operate in an oil bath for long life
- Precision stroke adjustment can be operated while the pump is running or stopped
- Steady State Accuracy – $\pm 1\%$ of full capacity over the 10 to 1 turndown ratio
- Liquid Temperature Range – 14° to 122° F (-14° to 50° C)
- Coating – 2 part epoxy
- Average Weight with motor – Frame D: 45 lbs (20 kgs)
Frame G: 105 lbs (48 kgs)

GENERAL DIMENSIONS

Approximate for envelope estimations. Certified prints are available.
Dimensions are showing for both D and G frame in inches.



NPT CONNECTION SIZES

FRAME	LIQUID END SIZE	CONNECTION PORT SIZE FOR THE FOLLOWING MATERIALS			
		BLACK PP, PVC, PVDF & ACRYLIC	APPLICATIONS		316 SS
				H2SO4	
D	2	1/4" Male	1/4" Male	1/4" Male	1/4" Male
	4		1/2" Male		1/2" Male
	7 & 8				
G	5	1/2" Female			
	6 & 7	1" Female	1" Male	1" Female	1" Male

MATERIALS OF CONSTRUCTION

MATERIAL	FRAME	LIQUID END SIZE	HEAD	CHECK VALVE	SEALS	SEATS	BALLS	DIAPHRAGM
Black Polypropylene	D	2	Black PP	PVDF	Aflas	Alloy C22	Ceramic	PTFE
		4				PTFE		
		7 & 8						
	G	5		PP	Viton	PVC		
6 & 7								
PVC	D	2	PVC	PVDF	Aflas	Alloy C22	Ceramic	PTFE
		4				PTFE		
		7 & 8						
	G	5		PVC	Viton	PVC		
6 & 7								
PVDF	D	2	PVDF	PVDF	Aflas	Alloy C22	Ceramic	PTFE
		4				PTFE		
		7 & 8						
	G	All		PVDF	PTFE	PVDF		
Acrylic	D	2	Acrylic	PVDF	Aflas	Alloy C22	Ceramic	PTFE
		4				PTFE		
		7 & 8						
	G	5		PVC	Viton	PVC		
6 & 7								
Polymer Applications	D & G	All	PVC	PVC	Viton	316 SS	316 SS	
Slurry Applications	D & G	All		316 SS				
H2SO4 Applications	D & G	All		PVDF				Aflas
316 SS	D	2	316 SS	316 SS	PTFE	316 SS	316 SS	PTFE
		4				PTFE		
		7 & 8						
	G	5			PTFE	316 SS		
		6 & 7						

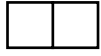
PUMP SELECTION BY CAPACITY AND PRESSURE

PUMP SELECTION			MAXIMUM RATINGS						
FRAME	MACROY		CAPACITY @ 60 HZ (1725 RPM)		CAPACITY @ 50 HZ (1425 RPM)		PRESSURE		
	LIQUID END	GEAR CODE	GPH	LITER/HR	GPH	LITER/HR	PSI	BAR	
D	2	1	0.18	0.7	0.15	0.6	175	12	Ratings based on 1/4 HP (.25 kW)
		2	0.35	1.3	0.29	1.1			
		6	0.48	1.8	0.40	1.5			
		3	0.7	2.6	0.58	2.2			
	4	1	3.0	11.4	2.5	9.5	150	10	
		2	6.6	25	5.5	21			
		6	10	38	6.9	26			
		3	14.4	45	12	45			
	7	1	13	99	10	39	100	7	
		2	25	95	21	79			
		6	34	129	28	106			
		3	50	189	42	159			
	8	1	31	117	26	98	75	5	
		2	57	216	47	178			
		6	87	329	72	273			
		3	127	481	106	401			
G	5	1	26	98.4	22	82	150	10	
		2	53	200.6	44	167			
		6	75	283.9	62	237			
		3	106	401.2	88	334			
		8	-	-	110	416			
	6	1	37	140.0	31	117	100	7	
		2	74	280.1	62	233			
		6	104	393.6	87	328			
		3	147	556.4	122	464			
		8	-	-	154	583			
	7	1	75	283.9	62	237	50	3.5	
		2	150	567.8	125	473			
		6	213	806.2	177	672			
		3	300	1135.5	250	946			
		8	-	-	312	1181			



MacRoy G with PVC liquid end and manual micrometer stroke adjustment.

MACROY D & G PRODUCT CODE



Frame and
Liquid End



Gear
Ratio



Motor &/
or Mount



Liquid
End
Material



Connections



Capacity
Control



Double
Diaphragm



Base



Stroke
Counting

Frame and Liquid End

D Frame

D2

D4

D7

D8

G Frame

G5

G6

G7

Gear Ratio Code

1 = 43 SPM

2 = 86 SPM

6 = 120 SPM

3 = 173 SPM

8 = 180 SPM @

1450 RPM

Motor &/or Mount

8 = 1 ph 60 Hz 115/230 VAC

1725 RPM TE

J = 3 ph 60 Hz 230/460 VAC

1725 RPM TE

9 = 1 ph 50 Hz 115/230 VAC

1450 RPM TE

L = 3 ph 50 Hz 220/380 VAC

1450 RPM TE

M = IEC 71, F130 V1 Flange
Mount Less Motor

N = IEC 80, F165 V1 Flange

Mount Less Motor
(G Frame only)

X = Nema 56C Mount

Less Motor

Liquid End Material

2 = PVDF

4 = Black Polypropylene
(UV Stable)

7 = 316 ss

8 = PVC

A = Acrylic

P = Polymer Service

L = Slurry Applications

N = H₂SO₄ Applications

Connections

P = NPT

T = Tubing

B = Bleed Valve NPT

C = Bleed Valve Tubing

Capacity Control

M4 = Manual

E1 = 4-20, Nema 4, 115V

E2 = 4-20, Nema 4, 230V

EA = 4-20, Ex Prf, 115V

EB = 4-20, Ex Prf, 230V

Double Diaphragm

N = None

D = Double Diaphragm

3 = Double Diaphragm w/
Gauge

4 = Double Diaphragm
w/Nema 4

Rupture Detection

7 = Double Diaphragm
w/Nema 7

Rupture Detection

Base Code

N = None

I = Simplex Optional Base

Stroke Counting

N = None

I = Stroke Counting
(20 to 250 VAC/DC)



The photograph to the right is a D4 with a PVC liquid end, featuring NPT style check valves.

MACROY, DEPENDABLE AND VERSATILE

The MacRoy™ series of pumps has proven its exceptional value over years of solid performance in a wide range of applications and industries. Water treatment chemicals, process additives, acids, out-gassing fluids, slurries, and many more applications are all handled with ease by this robust metering pump design. Your local representative can assist you in applying the MacRoy™ metering pump to your process.



ACCESSORIES



Safety Valves

Protect pump and piping from overpressure.



Back Pressure Valves

Provide smooth, artificial pressure in pump discharge line for atmospheric or low pressure systems to ensure pumping accuracy.

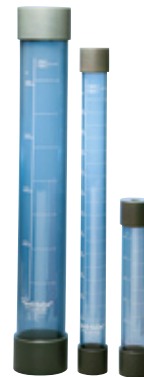
Pulsation Dampeners

Minimize pressure and flow surges in the pump discharge. When applied to pump inlet, more favorable NPSH conditions result.



Calibration Columns

Allow periodic verification of pump performance during routine checks or after system maintenance.



MILTON ROY COMPANY

201 Ivyland Road • Ivyland, PA 18974-0577 • ph: 215.441.0800 • 800-693-4295 • fax: 214.441.8620 • www.miltonroy.com • email: info@miltonroy.com

PD 3212.4/11