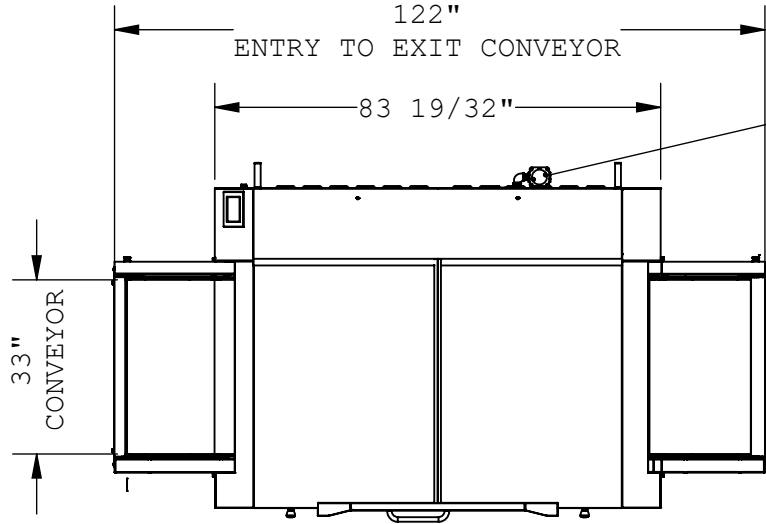
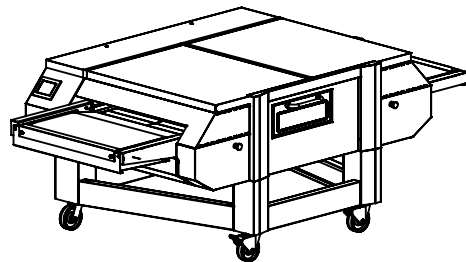


REV.	DESCRIPTION	PAR	DATE
------	-------------	-----	------

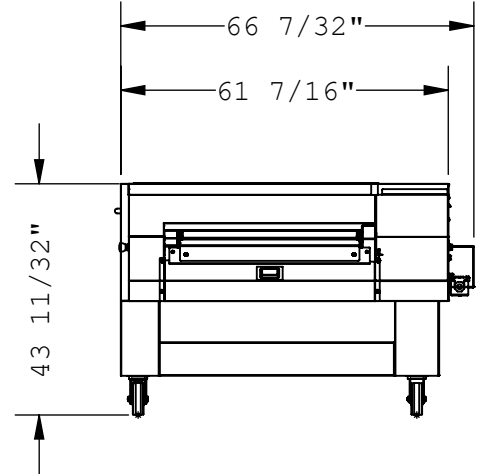
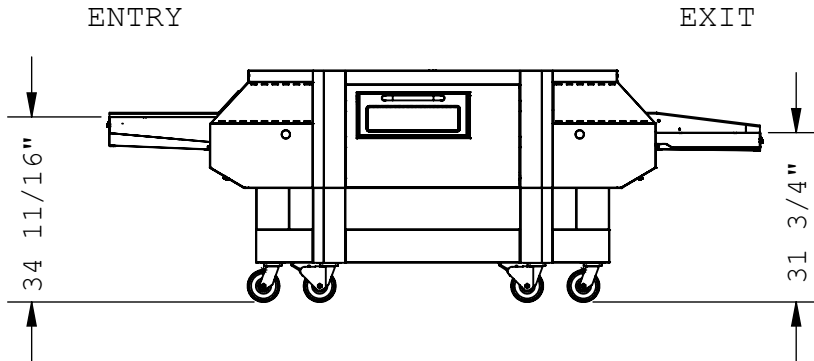
MODEL: HR7033



- GAS INLET 3/4" NPT
- POWER 208V-240V/1PH/60HZ/10A PER DECK



LEFT TO RIGHT OPERATION SHOWN
AVAILABLE IN RIGHT TO LEFT OPERATION



TITRE: **GENERAL VIEW HOTROCK 1 DECK** (TITLE)

QUANTITE: (QUANTITY)

ÉCHELLE (SCALE) **1:36**
 PROJÉT (PROJECT) **HOTROCK**
 NO° D'ASSEMBLAGE.: (ASSEMBLY NO°)

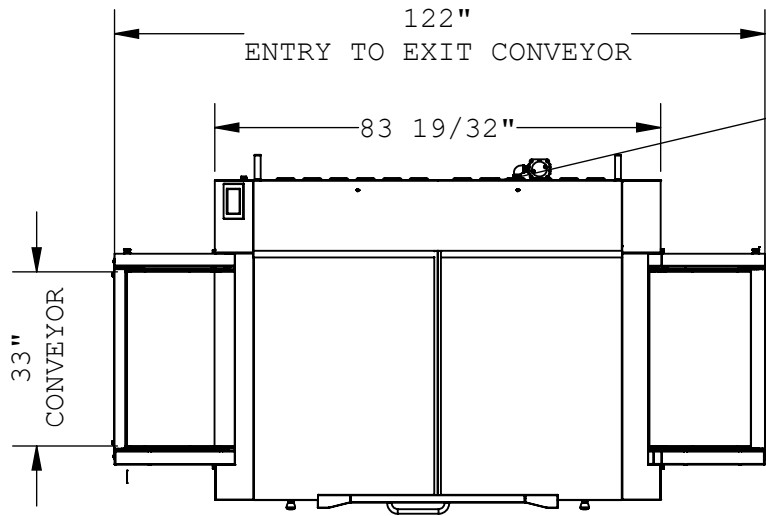
TOLÉRANCES: (TOLERANCES)
 RAC. /32x ±0.005"
 x.x ±0.01xxx ±0.001"
 DATE: (YYYY-MM-DD)
 2014-06-12

N° DESSIN: (DRAWING N°)
T07033000-1

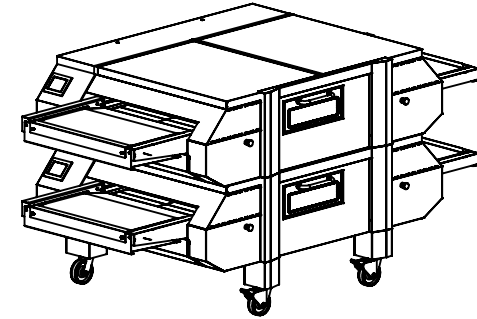
RÉVISION: (REVISION)
03

REV.	DESCRIPTION	PAR	DATE
------	-------------	-----	------

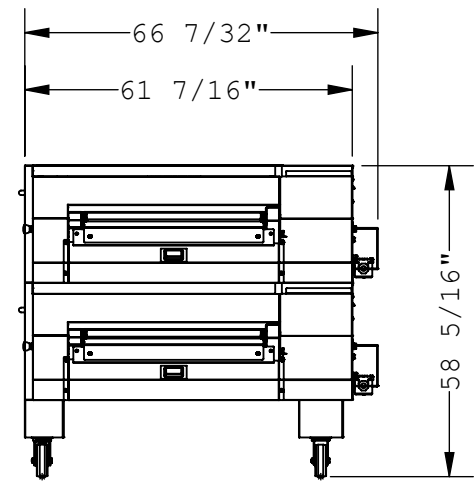
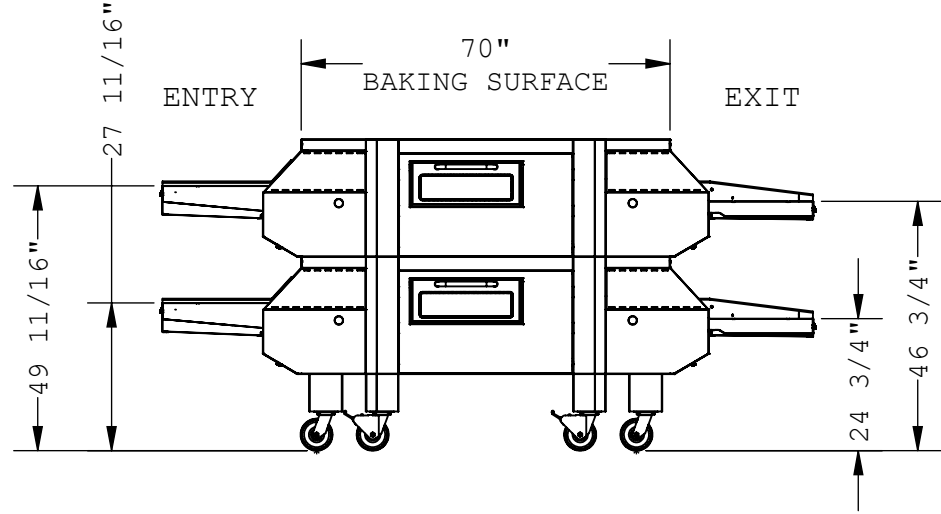
MODEL: HR7033



- GAS INLET 3/4" NPT
- POWER 208V-240V/1PH/60HZ/10A PER DECK



**LEFT TO RIGHT OPERATION SHOWN
AVAILABLE IN RIGHT TO LEFT OPERATION**



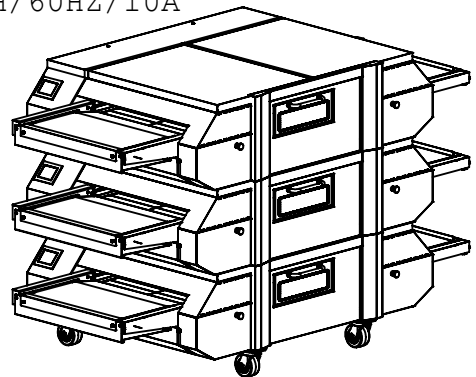
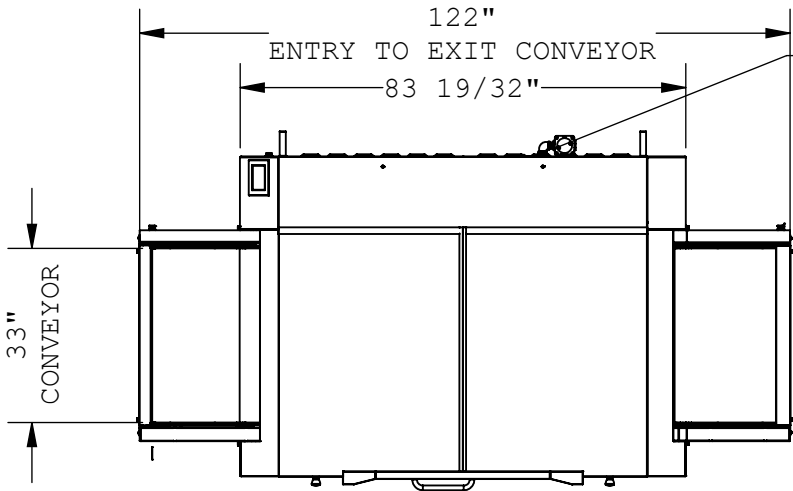
TITRE: GENERAL VIEW HOTROCK 2 DECKS		(TITLE)	QUANTITE: (QUANTITY)
ÉCHELLE (SCALE) 1:36	PROJET (PROJECT) HOTROCK	TOLÉRANCES: (TOLERANCES) RAC. /32x ±0.005" x.x ±0.01xxx ±0.001"	N° DESSIN: (DRAWING N°) T07033000-2
NO° D'ASSEMBLAGE.: (ASSEMBLY NO°)		DATE: (YYYY-MM-DD) 2014-06-12	RÉVISION: (REVISION) 03

1325, Notre-Dame Est
Victoriaville (Qc) G6P 4B8
Tél: (819) 758-1883
Fax: (819) 758-1465
Internet: www.picardsoven.com

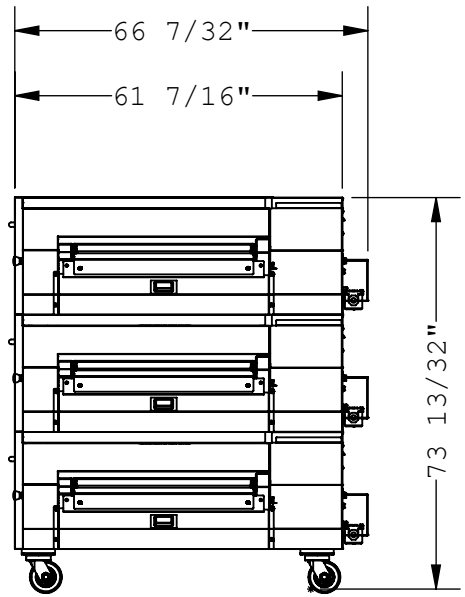
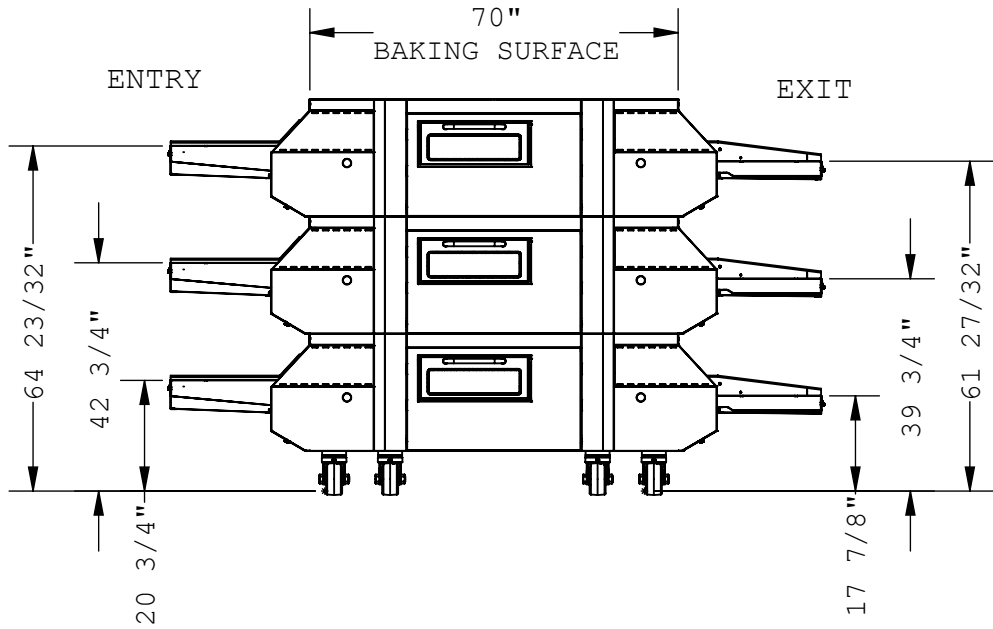
REV.	DESCRIPTION	PAR	DATE
------	-------------	-----	------

MODEL: HR7033

- GAS INLET 3/4" NPT
- POWER 208V-240V/1PH/60HZ/10A PER DECK



LEFT TO RIGHT OPERATION SHOWN
AVAILABLE IN RIGHT TO LEFT OPERATION



TITRE: GENERAL VIEW HOTROCK 3 DECKS		(TITLE)	QUANTITE: (QUANTITY)
ÉCHELLE (SCALE): 1:36	PROJET (PROJECT): HOTROCK	TOLÉRANCES: (TOLERANCES): RAC. 1/32x ±0.005" x.x ±0.01xxx ±0.001"	N° DESSIN: (DRAWING N°): T07033000-3
NO° D'ASSEMBLAGE.: (ASSEMBLY NO°)	DATE: (YYYY-MM-DD): 2014-06-12		RÉVISION: (REVISION): 03

1325, Notre-Dame Est
Victoriaville (Qc) G6P 4B8
Tél: (819) 758-1883
Fax: (819) 758-1465
Internet: www.picardsoven.com